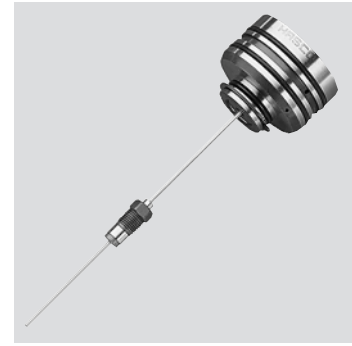
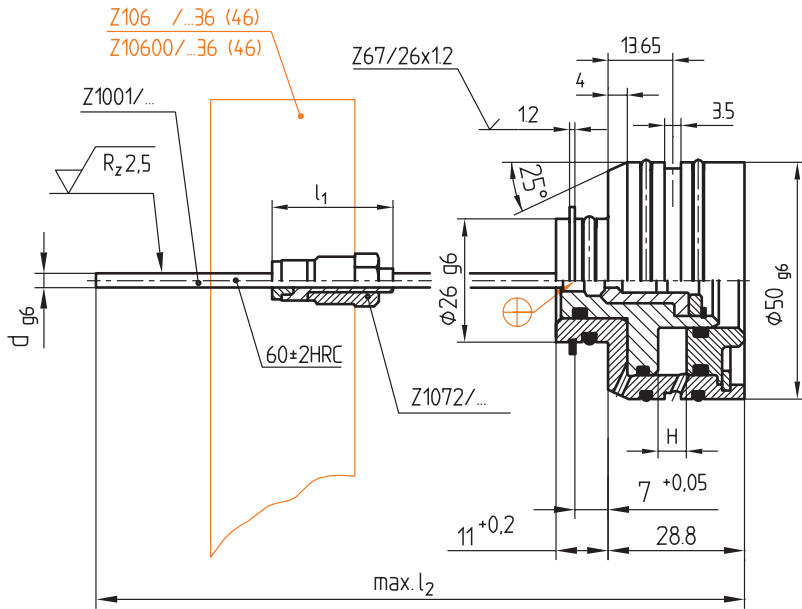


Z107/1/...



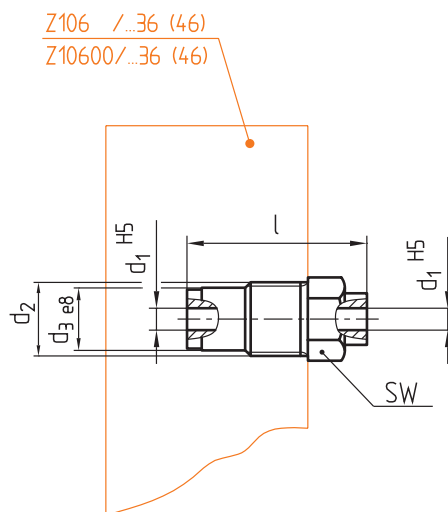
► Info

max. °C	H	Z3340/50/...	Z1022/2/...	Z105/...	Z106/...	Z103G /45x 88	56x 81	56x112	Z103GT/45x 88	56x 81	56x112	Z103 /56x 81/1,5	56x 81/2,5	Z103T /56x 81/1,5	56x 81/2,5	l <sub>2</sub>	Typ	d	l <sub>1</sub>	Nr./No.	
Viton/200	5,5	X	X	X	X	X	X	X	X	X	X	X	X	X	X	220	1	2	20,5	Z107/1/2/20,5	
		X	X	X	X	X	X	X	X	X	X	X	X	X	X	320				3	3/20,5
		X	X	X	X	X	X	X	X	X	X	X	X	X	X	270				4	4/20,5
		X	X	X	X	X	X	X	X	X	X	X	X	X	X	X	220	2	25,5	Z107/1/2/25,5	
		X	X	X	X	X	X	X	X	X	X	X	X	X	X	320	3			3/25,5	

H = Hub / Stroke / Course

Z1072/...

Mat.: 1.2343 / 1470 N/mm<sup>2</sup>



► Info

Z105/...	Z106/...	SW	d <sub>3</sub>	d <sub>2</sub>	d <sub>1</sub>	l	Nr./No.
	X	10	8,5	M10x1	2	20,5	Z1072/2/20,5
	X				3		3/20,5
	X	12	10	M12x1,25	4		4/20,5
X		10	8,5	M10x1	2	25,5	Z1072/2/25,5
X					3		3/25,5

This is trial version  
www.adultpdf.com